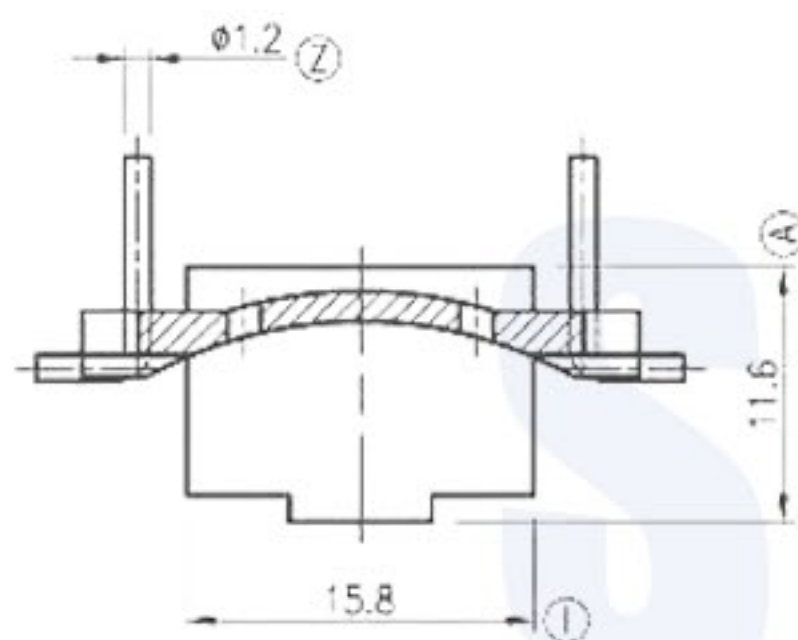
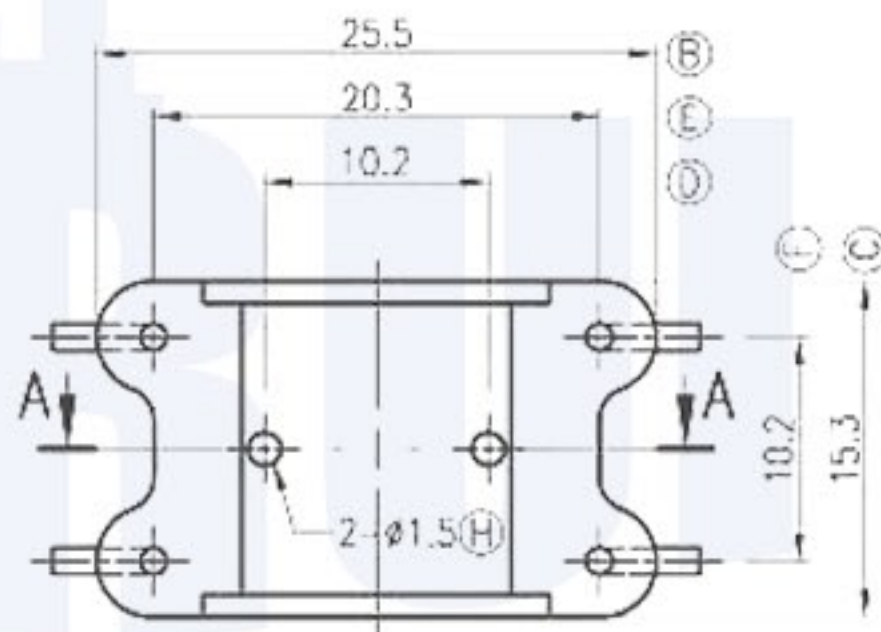
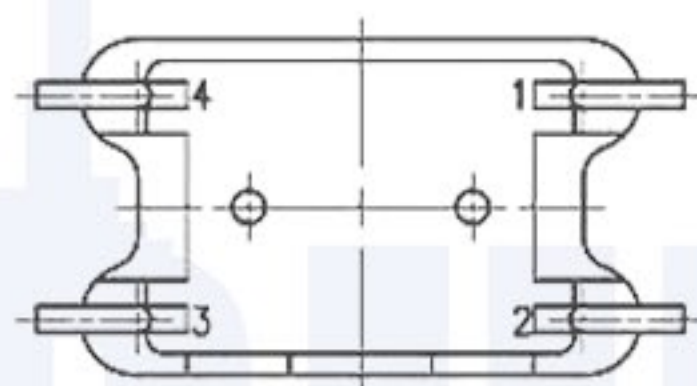


P/N  
SR-BASE012



A-A Section



Hefei Shirui Electronic Technology Co., Ltd

www.shiruitech.com

TEL:(0086)55165232650

sales@shiruitech.com

SR NO. <b>SR-BASE012</b>	MATERIAL: PET/PBT	UNIT: mm TOLERANCE	DRN.	WILL H
MO DEL NAME: <b>BASE 4PIN</b>	UL REC: UL 94V-0	0 < L ≤ 4 ±0.10	CHD.	IRINA LEE
	ANGLE: ± °	4 < L ≤ 16 ±0.20	ISSD.	JAMES HU
	SCALE 1:1	16 < L ≤ 64 ±0.30		
		PIN PITCH ±0.05		